



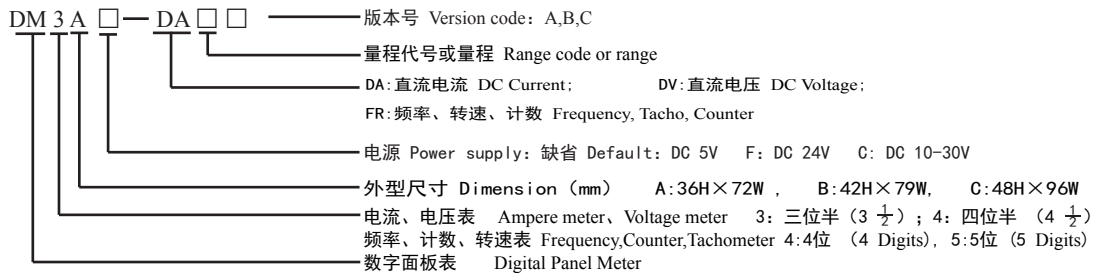
DM系列数字面板表

DM SERIES DIGITAL PANEL METERS

特点: FEATURES

- ⊙通用性表壳, 体积小 Current watchcase, compact size
- ⊙测量准确、性能可靠 Precise measuring ,reliable performance
- ⊙具有小数点设定功能 With decimal point setting function

一、型号及含义 ORDERING CODE



二、型号及技术参数 MODEL AND SPECIFICATION

1、直流电压、电流表 DC DIGITAL VOLTMETER, AMMETER

【1】直流数字电压表 DC DIGITAL VOLTMETER

| 型号Model | 量程Range | 分辨率Resolution | 输入电阻Input Impedance | 精度Measuring Accuracy | 最大允许Input protecting |
|-------------|---------|---------------|---------------------|----------------------|----------------------|
| DM3 □-DV0.2 | 199.9mV | 100uV | 5MΩ | ±0.5%F.S ±2Digits | 5V |
| DM3 □-DV2 | 1.999V | 1mV | 5MΩ | ±0.5%F.S ±2Digits | 5V |
| DM3 □-DV20 | 19.99V | 10mV | 2MΩ | ±0.5%F.S ±2Digits | 24V |
| DM3 □-DV200 | 199.9V | 100mV | 2MΩ | ±0.5%F.S ±2Digits | 240V |
| DM3 □-DV600 | 600V | 1V | 2MΩ | ±1%F.S ±2Digits | 720V |
| DM4C-DV2 | 1.9999V | 100uV | 2MΩ | ±0.2%F.S ±2Digits | 5V |
| DM4C-DV20 | 19.999V | 1mV | 2MΩ | ±0.2%F.S ±2Digits | 24V |
| DM4C-DV200 | 199.99V | 10mV | 2MΩ | ±0.2%F.S ±2Digits | 240V |

说明: "□"中的外型尺寸. Notes: 1、"□"means the dimension is selectable: A:36H×72W, B:42H×79W, C:48H×96W. 2、F.S means Full Span

【2】直流数字电流表 DC DIGITAL AMMETER

| 型号Model | 量程Range | 分辨率Resolution | 输入电阻Input Impedance | 精度Measuring Accuracy | 最大允许Input protecting |
|----------------|---------|---------------|---------------------|----------------------|----------------------|
| DM3 □-DA0.0002 | 199.9uA | 0.1uA | 10KΩ | ±0.5%F.S ±2Digits | 0.5mA |
| DM3 □-DA0.002 | 1.999mA | 1uA | 1000Ω | ±0.5%F.S ±2Digits | 5mA |
| DM3 □-DA0.02 | 19.99mA | 10uA | 10Ω | ±0.5%F.S ±2Digits | 50mA |
| DM3 □-DA0.2 | 199.9mA | 1mA | 1Ω | ±0.5%F.S ±2Digits | 500mA |
| DM3 □-DA2 | 1.999A | 1mA | 0.1Ω | ±0.5%F.S ±2Digits | 3A |
| DM4C-DA20 | 19.999A | 1mA | 5MΩ | ±0.2%F.S ±2Digits | 100mV |
| DM4C-DA200 | 199.99A | 10mA | 5MΩ | ±0.2%F.S ±2Digits | 100mV |

【3】电压、电流表技术参数 Digital Ampere Meter, Voltage Meter SPECIFICATION

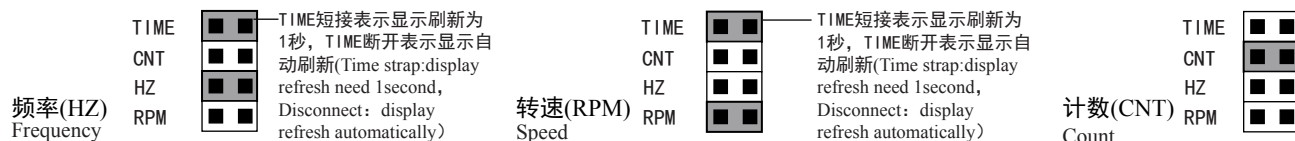
| | |
|--|--|
| 最大显示 Max. display | 1999 (3 1/2); 19999 (4 1/2) |
| 输入方式 Input mode | 单端输入 Single end input |
| 测量方式 Measuring mode | 双积分 A/D 转换 Dual slope A/D conversion |
| 测量速度 Sampling rate | 约2.5次/秒 About 2.5 times/second |
| 溢出显示 Overflow indication | "-1" or "1" (3 1/2); "0000" or "-0000" (4 1/2) LED闪烁 LED flash |
| 极性显示 Polarity display | 只显示 "-" Only "-" display |
| 显示 Display | 红色 LED Red LED |
| 电源 Power supply | DC 5V ±10% ≤70mA (3 1/2); DC 5V ±0.2V ≤80mA (4 1/2) |
| 工作温湿度 Operating temperature and humidity | 0~50℃ <85%RH |

2、频率、转速、计数面板表 FREQUENCY, TACHOMETER, COUNTER DIGITAL PANEL METER

【1】型号 MODEL

| 型号Model | 测频范围Frequency range | 测量转速范围Rotary speed range | 计数范围Counter range | 量程转换Range conversion |
|----------|---------------------|--------------------------|-------------------|----------------------|
| DM4A-FR1 | 1-9999HZ | 60-9999Rpm | 0-9999 | 自动Auto |
| DM4B-FR1 | 1-9999HZ | 60-9999Rpm | 0-9999 | 自动Auto |
| DM5C-FR1 | 1-9999HZ | 60-99999Rpm | 0-99999 | 自动Auto |

【2】功能选择 FUNCTION SELECT

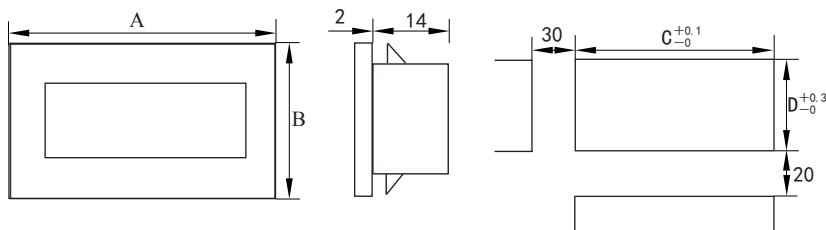


说明:改变功能后,请复位或重新开关仪表电源一次 Notes:Once changing the function, please reset or switch the power again.

【3】技术参数 SPECIFICATION

| 项目 | Item | 参数 | Parameter |
|--------|------------------------------------|---|--|
| 显示 | Display | LED红色 | Red LED |
| 输入电阻 | Input impedance | >10K | |
| 输入电平 | Input lever | 5~25V | |
| 输入波形 | Input waves | 方波信号 | Square wave |
| 极限输入电压 | Voltage input limit | 25V | |
| 频率精度 | Frequency accuracy | ±0.05%±1Digit (DM4A-FR1; DM4B-FR1); ±0.05%±10Digits (DM5C-FR1) | |
| 频率测量范围 | Input frequency range | 1~10K HZ | |
| 计数速度 | Counting speed | ≤1000CPS | |
| 频率采样时间 | Sampling rate | 自动 | Auto |
| 小数点 | Decimal point | 根据量程自动改变 | Auto change according to the setting range |
| 溢出显示 | Overflow indication | “UUUU” or “UUUUU” | |
| 电源 | Power supply | DC +5V±10% ≤90mA (可定做DC 12V或DC 24V电源) | (DC 12V or DC 24V can be ordered) |
| 工作温湿度 | Operating temperature and humidity | 0~50°C <85% RH | |

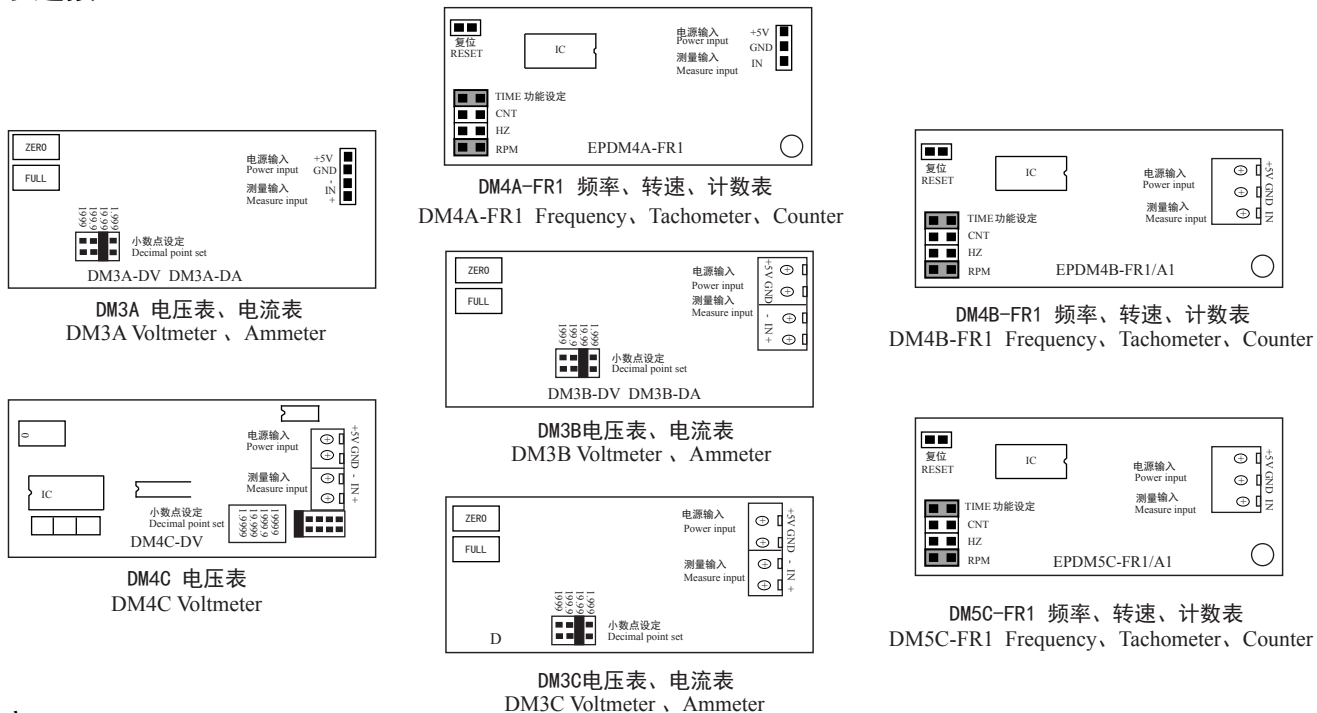
三、外形及表盘加工尺寸 FIGURE AND DIMENSIONS



Model

| 型号 | A | B | C | D |
|------|----|----|----|------|
| DM-A | 72 | 36 | 69 | 33.5 |
| DM-B | 79 | 42 | 76 | 39.5 |
| DM-C | 96 | 48 | 93 | 45.5 |

四、端子连接 TERMINAL CONNECTION



五、注意 CAUTIONS

- 若输入信号伴随高频干扰,应在线里用高频过滤器。
If the input signal interfered by a High-frequency, a high-frequency filter should be used inside of the wire.
- 由于此仪表供电电源与输入信号不隔离,当多台仪表共用一组供电电源时,请注意输入信号的共地问题。
Because the instrument power supply is not isolated with input signal,when Multiple instruments use a common power supply, please pay attention to the common-ground problem of input signal.
- 存放温度:-10°C ~+70°C,长期保存应避免直射光线。每三个月通电一次,且通电时间不少于4小时。
Storage temperature:-10°C ~+70°C, long time for storage in the shade.Please connect power supply every three months,each time power on no less than 4 hours.
- 本仪表校准时间间隔为一年。The calibration interval time is one year.
- 仪表精度测试条件为25±3°C,湿度60%RH。The accuracy testing condition is 25±3°C, humidity 60%RH.
- 使用应做好过压和静电防护。Protection measures of overvoltage and static electricity should be done when use the meter.